



Custom Booths

The most efficient wet dust collectors on the market, the Uni-Wash series of wet dust collectors are capable of collecting dust down to 3 micron in size consuming only 3" wg. static pressure

Wet type dust collection is required for the safe collection of combustible metal dust. Wet Type Dust Collection has also been used effectively in many other difficult applications in place of cartridge collectors. ProVent's unique scrub design has been an industry standard for over 40 years and continues to lead the industry in Wet Type Dust Collection efficiency.

Standard Features

- **Multiple Collectors Can Be Used for Large Booth Sizes**
- **Integral High Efficiency Fan Assemblies**
 - AMCA Rated, Integral Direct Drive Fan Assemblies with Keyless Concentric Bushings
- **Photohelic Gauge**
 - Measures differential pressure across the scrub to monitor airflow and water level.
- **10 Gauge Steel Construction**
 - Solid welded heavy steel for superior strength and longevity.
- **Stainless Steel Scrub Components**
 - Superior construction where it is needed the most.
- **2-Part Epoxy Internal Tank Coating**
 - AmeriLock-2 by Ameron provides exceptional corrosion protection in harsh industrial and marine corrosive environments.
- **Urethane Mastic External Coating**
 - Durethane DTM by PPG chemically resistant and extremely durable. Provides excellent corrosion resistance and has superior color and gloss retention.
- **99% Efficient utilizing only 3" wg**
 - The most efficient wet dust collector available which has become an industry standard over the past 40 years.

COMBUSTIBLE METALS

ProVent's line of Uni-Wash Wet Type Downdraft Bench Dust Collectors meets or exceeds NFPA #484 for combustible metals including:

- Aluminum Dust
- Titanium Dust
- Magnesium Dust
- Zirconium Dust
- Tantalum Dust



BEYOND COMBUSTIBLE METALS

FOOD PROCESSING

ProVent has provided the food industry and others with 100% 304 Stainless Steel Wet Type Dust Collectors for the collection of a variety of airborne contaminants. If you think your application might benefit from the best designed, most efficient wet type dust collector on the market, look to ProVent and water filtration.

PHARMACEUTICAL

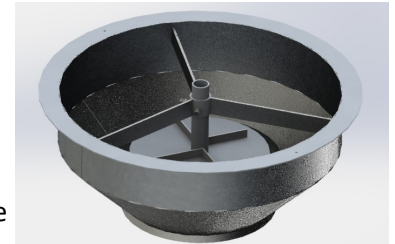
Utilizing water as a filtration device for pharmaceutical and biochemical dusts has its benefits. Beyond the cost savings of not having to replace filter cartridges, employee exposure to potentially hazardous dust during this maintenance operation is relieved.



Uni-Wash—The Industry’s Leading Scrub Technology

The Uni-Wash scrub technology has been continually manufactured for over 40 years. This tried and true orifice / impingement technology offers many benefits unmatched by other manufactures of wet type dust collection. Utilizing airflow to produce the scrub means that there are no pumps or nozzles to clog. Additionally, this makes our wet type dust collectors more energy efficient than other designs.

The stainless steel components of the Uni-Wash scrub are designed with a large opening that also will never clog and can be cleaned effectively reducing maintenance costs. The use of the optional Sani-Ball cleaning system reduces maintenance even further.



Efficiencies of up to 99% can be reached due to the incredible turbulence created by the Uni-Wash scrub. In this turbulence, a high rate of particulate to water contact is made increasing the efficiency while consuming a mere 3" wg.

A WORD ABOUT NFPA 484

NFPA 9.4.12.6.1 “The power supply to the dust-producing equipment shall be interlocked with the airflow from the exhaust blower and the liquid-level controller of the collector so that improper functioning of the dust-collection system will shut down the equipment it serves..”

ProVent Delivers: Both water level and motor controls are integrated into a single, custom control panel which includes a transformer and disconnect features.

The NFPA Safety Package option integrates airflow monitoring, audio/visual alarms, a positive vent fan and auxiliary contact into the control panel. The auxiliary contact provides the customer the ability to connect the dust producing equipment to the dust collector per NFPA guidelines

ABOUT OUR BOOTHS

ProVent manufactures custom booths for a variety of applications and requirements. Booths can be provided in the following materials.

- 1.5" x 3" clear anodized IPS aluminum extrusion framing with 1/4" PVC panels. Slot Mounted with fasteners and floor brackets.
- 16 Gauge galvanized steel modular panels with heavy duty structural steel pillars. Trussing as needed.

Optional sound insulation can be added to the booth for excessively loud applications.

Crane slots can be incorporated into the boots to assist in the movement of heavy objects.

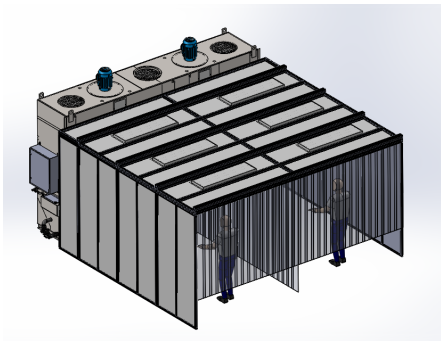
Booth lighting can be added to the ceiling and side panels of the booth to create a safe working environment.

Popular Options



The NFPA package enables customers to fully comply with NFPA 484 guidelines for combustible metals such as aluminum, titanium, magnesium and others. By strictly adhering to NFPA guidelines, our wet dust collectors provide for shutting down the collector AND the dust producing equipment via control panel interlock on water level and airflow warn-

All ProVent equipment is available in painted or unpainted stainless steel. Popular with the food processing industry, stainless steel provides cleanliness and longevity to the equipment.



Booth sizes and configurations can be custom designed for your application.



The Sani-Ball cleaning system utilizes powerful 316 stainless steel spray nozzles to simplify the cleaning process



Crane slots can be incorporated into the booth

ProVent silencers reduce the noise level produced by the exhausted air.



Specifications

	UEWC-40	UEWC-50	UEWC-60	UEWC-75	UEWC-125	UEWC-100	UEWC-150	
Air Flow (CFM)	4,000	5,000	6,000	7,500	10,000	12,500	15,000	
Ext. SP (in. Wg)	3	3	3	3	3	3	3	
Dry Weight (lbs)	2,800	3,100	3,450	4,300	5,700	7,000	8,800	
TEFC Motor, HP	5	5	5	7.5	15	(2) 7.5	(2) 7.5	
Motor / Fan RPM	1750	1750	1750	1750	1750	1750	1750	
Primary Voltage	460Volt 3 Phase 60 Hertz							
Fan Size	182 BC	200 BC 91% W	200 BC	222 BC 85%W	245 BC88%W	(2) 200 BC	(2) 222 BC83%W	
Fan Type	AMCA Rated, Backward Curved, Single Width, Mild Steel							
Housing Construction	10 Gauge and 3/16", Solid Welded							
Scrub Components	304 Stainless Steel							
Internal Tank Coating	AmerLock-2 by Ameron is a 2-Part Epoxy that provides exceptional corrosion protection in harsh industrial & marine corrosive environments							
External Coating	Durethane DTM by PPG is a direct-to-metal Urethane Mastic coating that is chemically resistant and extremely durable. It provides excellent corrosion resistance and has superior color and gloss retention, excellent adhesion, UV protection							
Motor Controls	NEMA 12 Start/Stop Station with overload protection, Optional Face Mounted Combination Starter Package with Disconnect, Buttons, Lights on units purchased with Electronic, 4-Point Water Level Control. Optional NFPA Package adds Airflow Switch with Auxiliary Contact for connection to dust producing equipment, Horn, Light for NFPA compliance. Variable Frequency Drive available.							
Water Level Control	Low maintenance mechanical float type							