



DROP BOX

The DuraBox DBX Series drop-out box works inline with your duct work to remove larger particulate from the air stream. Upon entering the dropbox, the airstream slows as it encounters a deflector plate. The larger particles drop into the hopper and collection bin and only the smallest dust particles are allowed to continue through the duct work into the dust collector. Utilization of the drop out box decreases the load on the filters of the primary dust collector and, in-turn, increases longevity. The ProVent DuraBox DBX is popular due to its ease of installation and its ability to be added to existing dust collection systems.

Standard Features

- **No Moving Parts**

The DuraBox is low-maintenance and will be on the job for many years.

- **All Welded Heavy Sheet Steel**

10 Gauge Steel will stand up to years of daily abuse

- **Replaceable Stainless Steel Deflection Plate**

The deflection plate forces heavy particulate down into the hopper and is easily replaced after years of abuse.

- **Easy Installation**

The DuraBox is easily placed inline of ductwork prior to the main dust collection system. Great for existing or new dust collection systems.

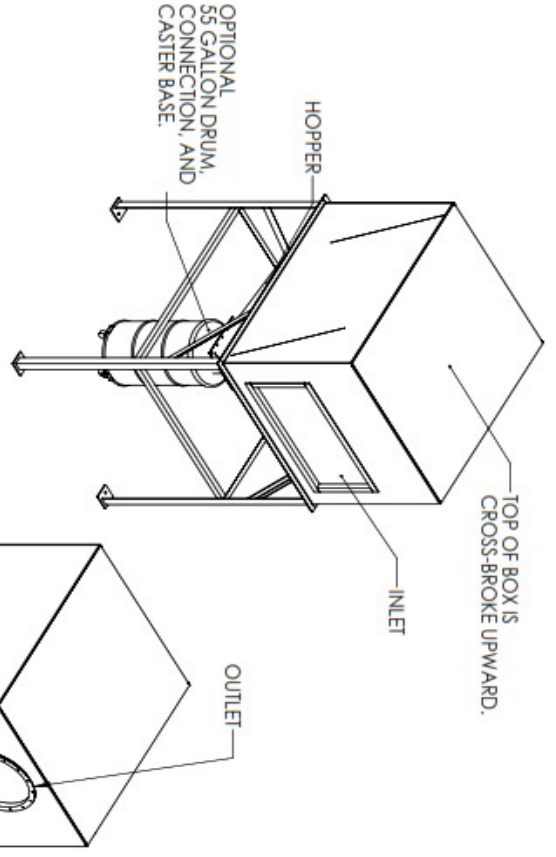
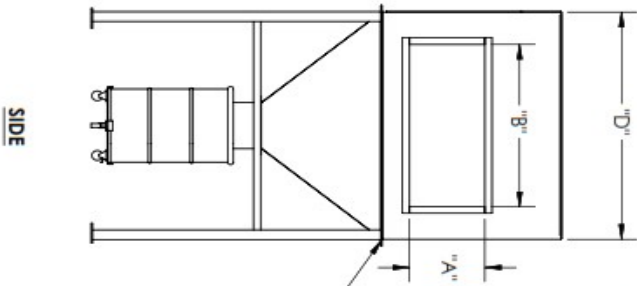
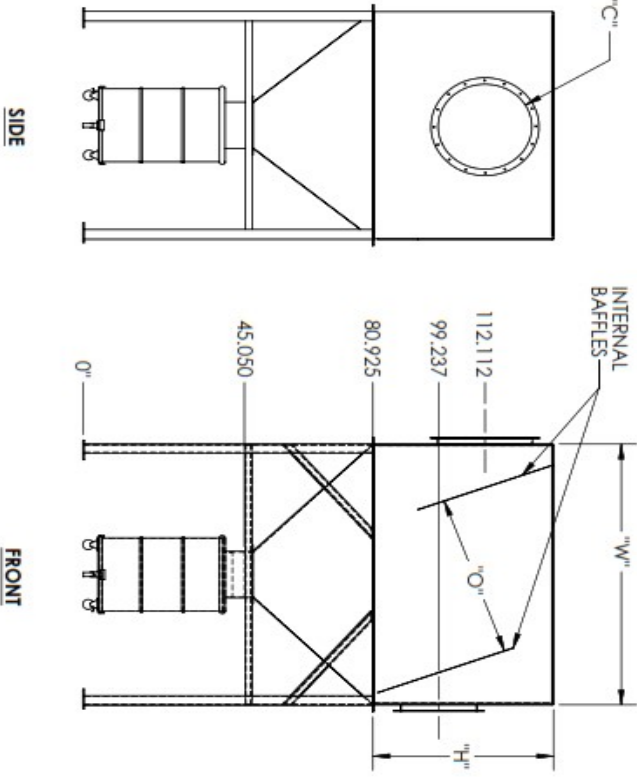
- **Increases Filter Longevity**

By removing larger particulate from the airstream, the DuraBox will increase the life of your filters and prevent early failure due to heavy loading.



Specifications

DURRBOX		DROP BOX SPECIFICATIONS	
MODEL	DROP BOX	DROP BOX	
INLET / OUTLET	STANDARD ROUND FLANGES; CUSTOM SHAPES AVAILABLE.	STANDARD ROUND FLANGES; CUSTOM SHAPES AVAILABLE.	
HOUSING CONSTRUCTION	10 GA. MILD STEEL	10 GA. MILD STEEL	
HOPPER CONSTRUCTION	10 GA. MILD STEEL	10 GA. MILD STEEL	
INLET HEIGHT / WIDTH "A" / "B"	TBD	TBD	
OUTLET DIAMETER "C"	TBD	TBD	
HEIGHT "H"	TBD	TBD	
WIDTH "W"	TBD	TBD	
DEPTH "D"	TBD	TBD	
BAFFLE WIDTH "O"	TBD	TBD	
OPTIONAL ACCESSORIES	55 GAL. DRUM WITH 14" CONNECTION TO HOPPER; DRUM CASTER BASE; CUSTOM COLLECTION DEVICES; DUCTWORK; EXPLOSION PANELS.	55 GAL. DRUM WITH 14" CONNECTION TO HOPPER; DRUM CASTER BASE; CUSTOM COLLECTION DEVICES; DUCTWORK; EXPLOSION PANELS.	



MATE FLANGE CAN UNBOLT FOR EASIER SHIPPING AND HANDLING ON LARGER UNITS.

BACK ISO